

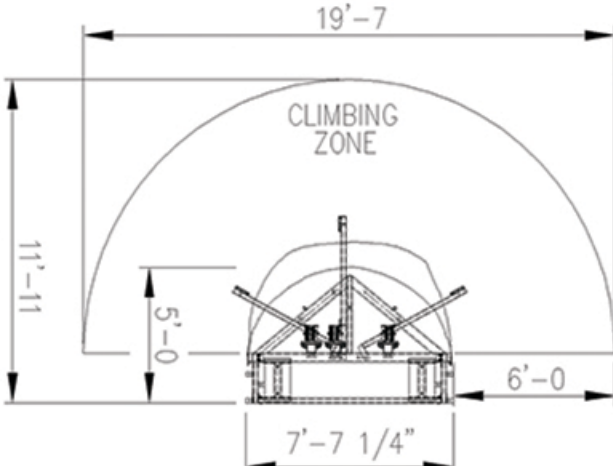
SPECTRUM SPORTS INTL



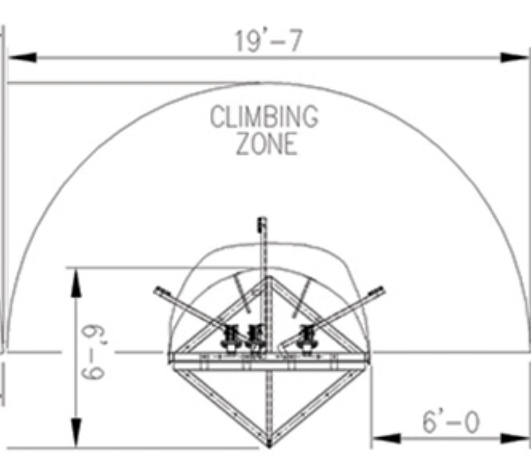
CLIMB-N-DANGLE 3-CLIMBER TOWER



Specs:
 3-Climber
 24' (7.3m) tall
 7'-6"W (2.3m) Wide
 312 ft² (29m²) surface area
 2800 lb (1270 kg) total weight
 Auto-Belay Safety System™
 80 mph wind rating
 110 mph available
 Fiberglass construction
 Powder-coat steel frame
 Ships prefabricated



Indoor Footprint



Outdoor Footprint